
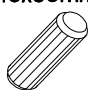
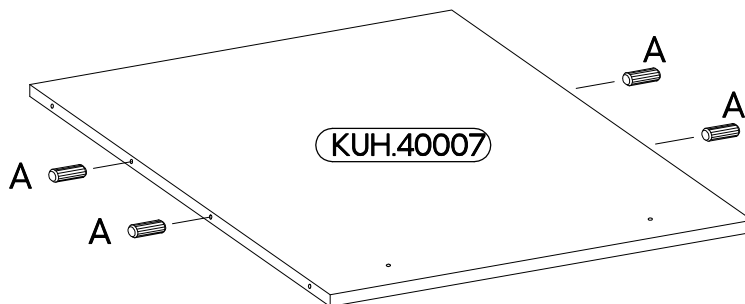
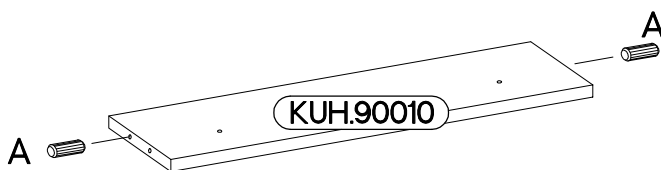
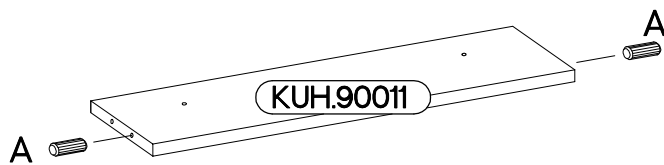
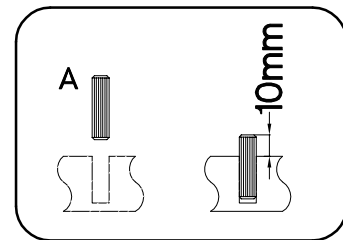
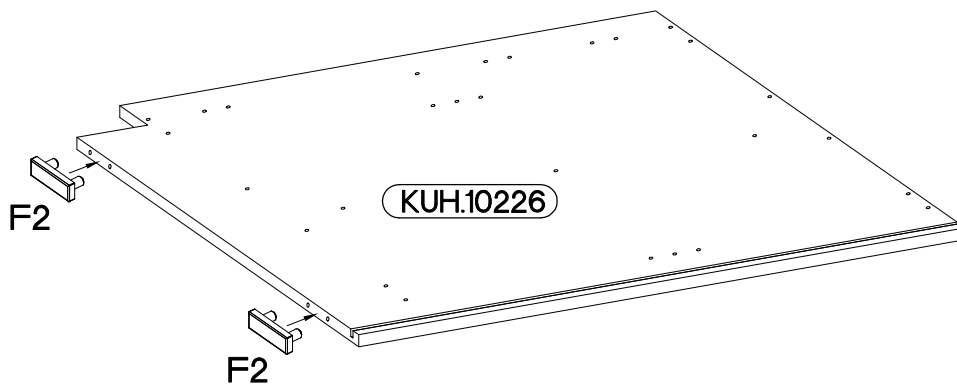
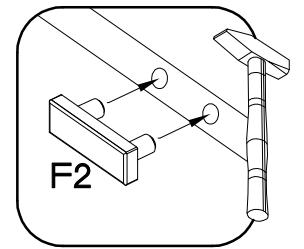
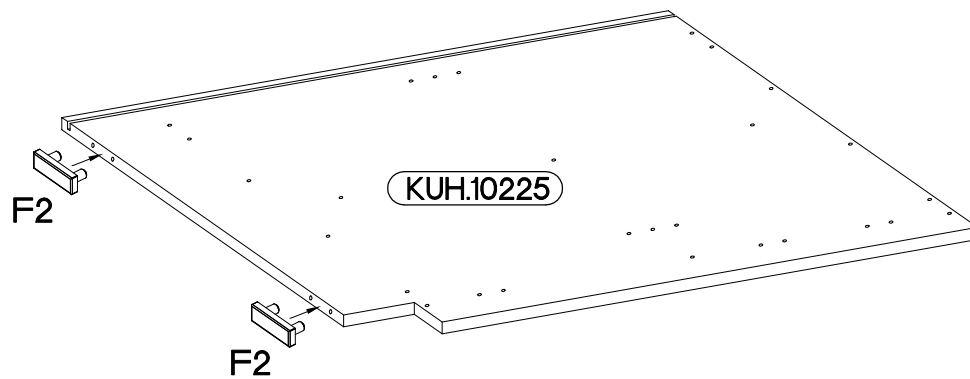
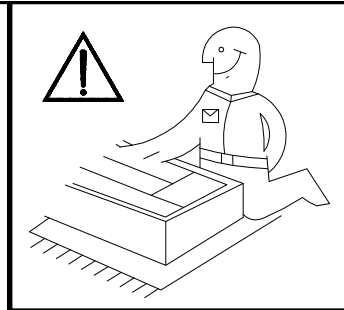





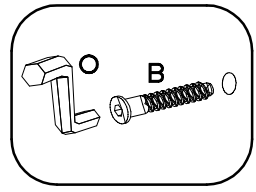
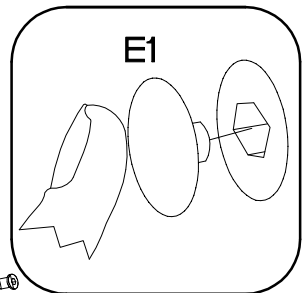
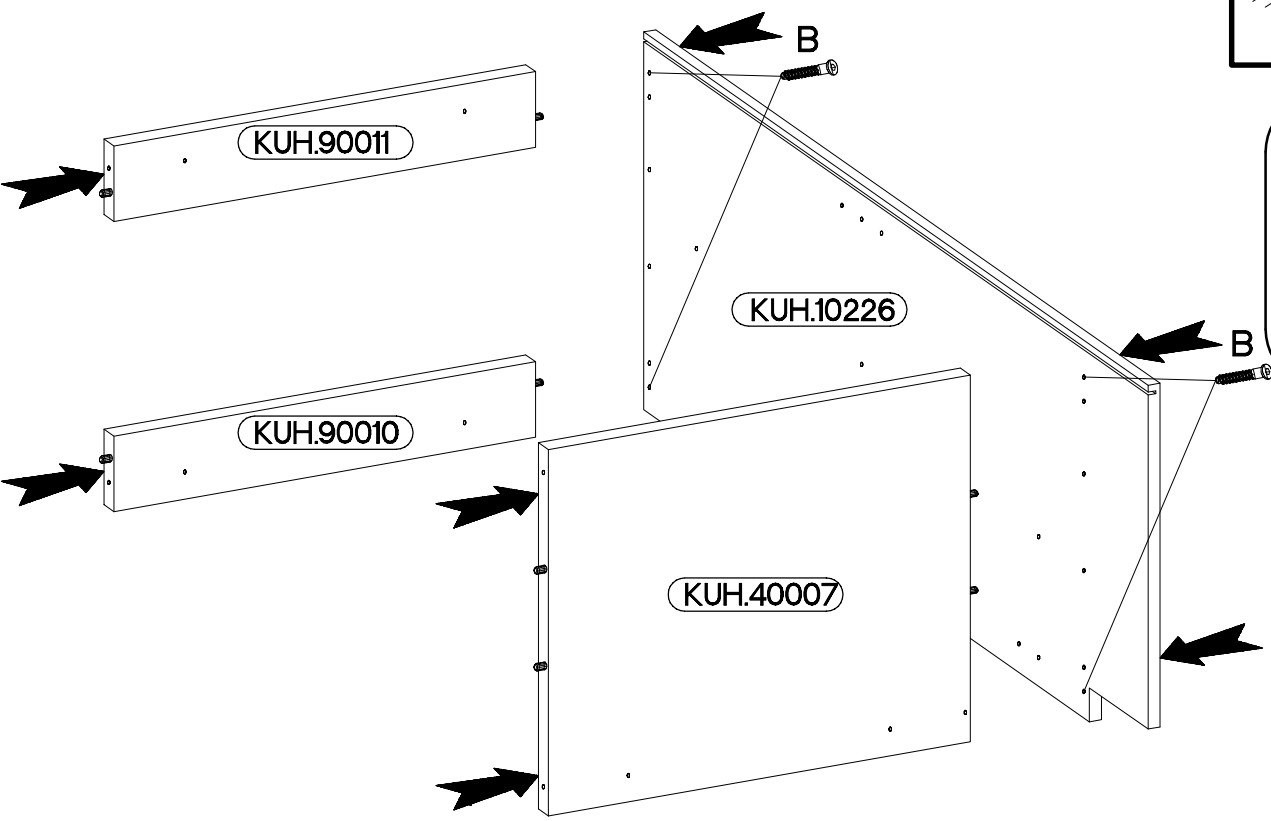
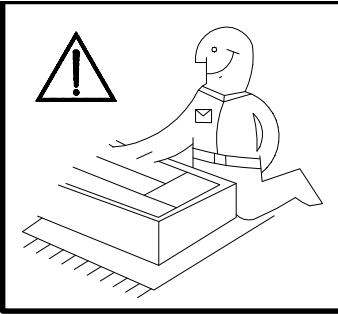
1

6.5x48x16  F2 4	+8x30mm  A 8
--	---

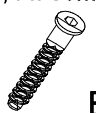
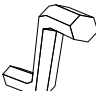



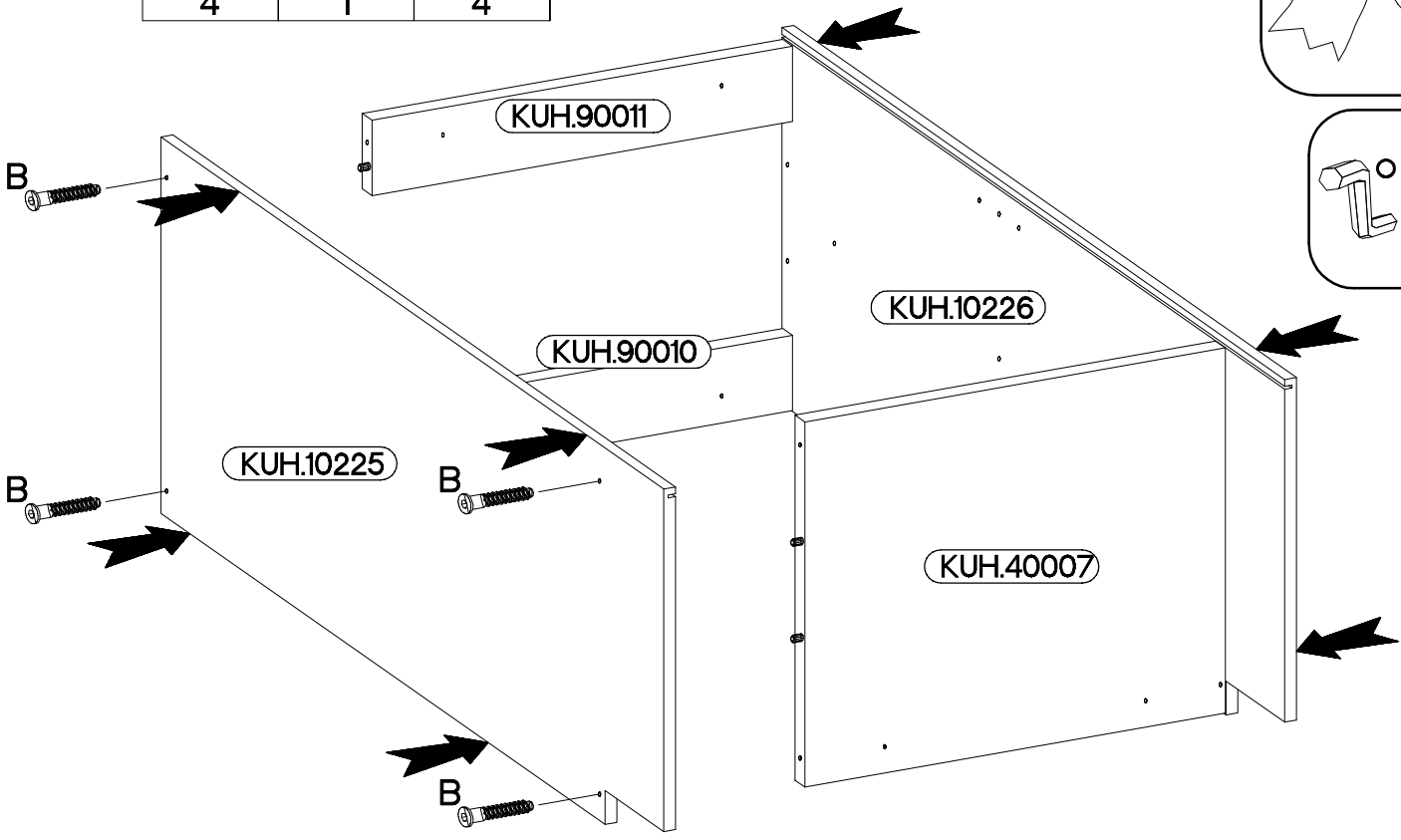
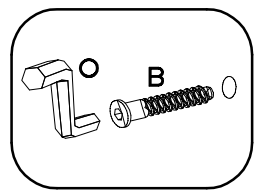
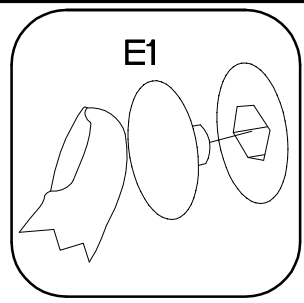
2

6,4 x 50mm		
		
B	O	E1
4	1	4

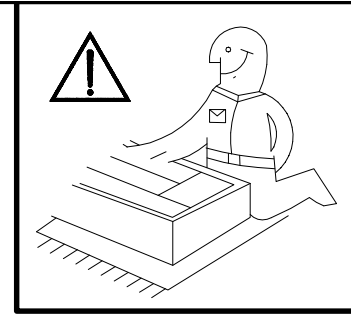
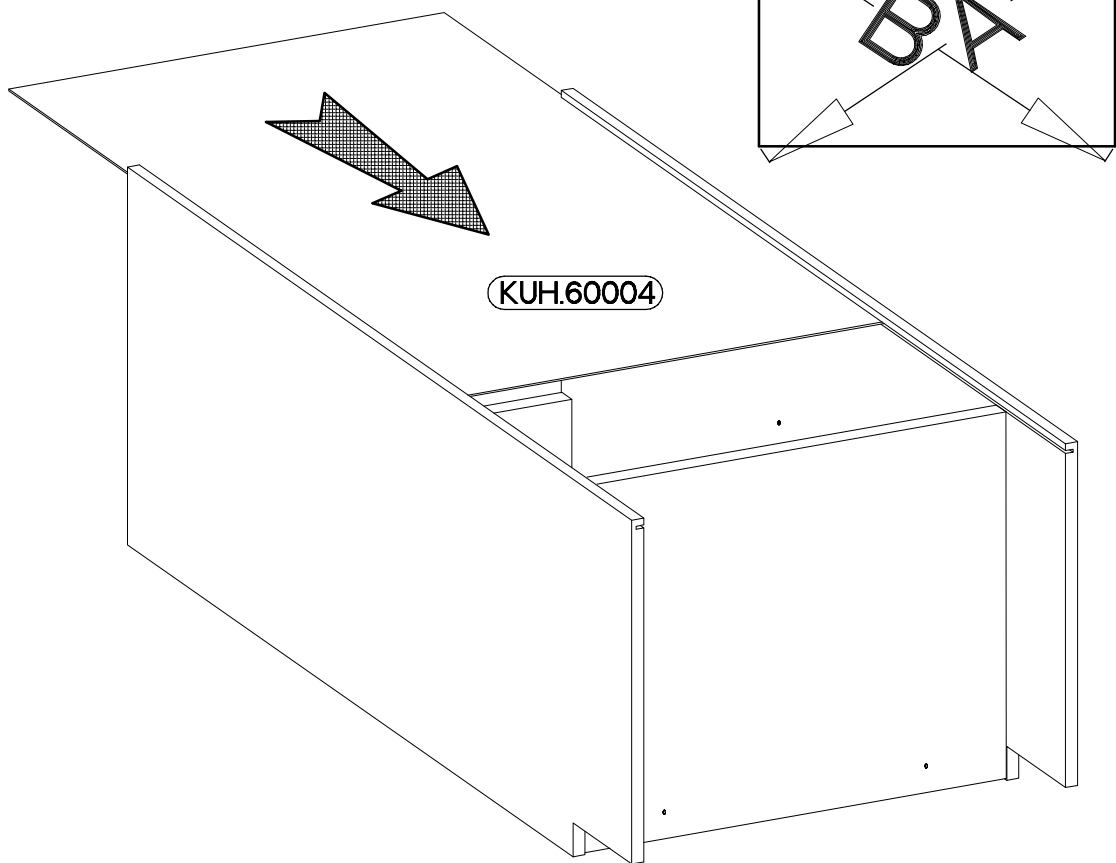


3

6,4 x 50mm		
		
B	O	E1
4	1	4

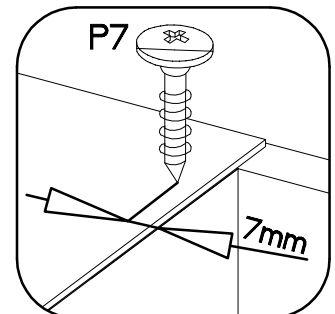
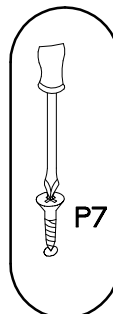
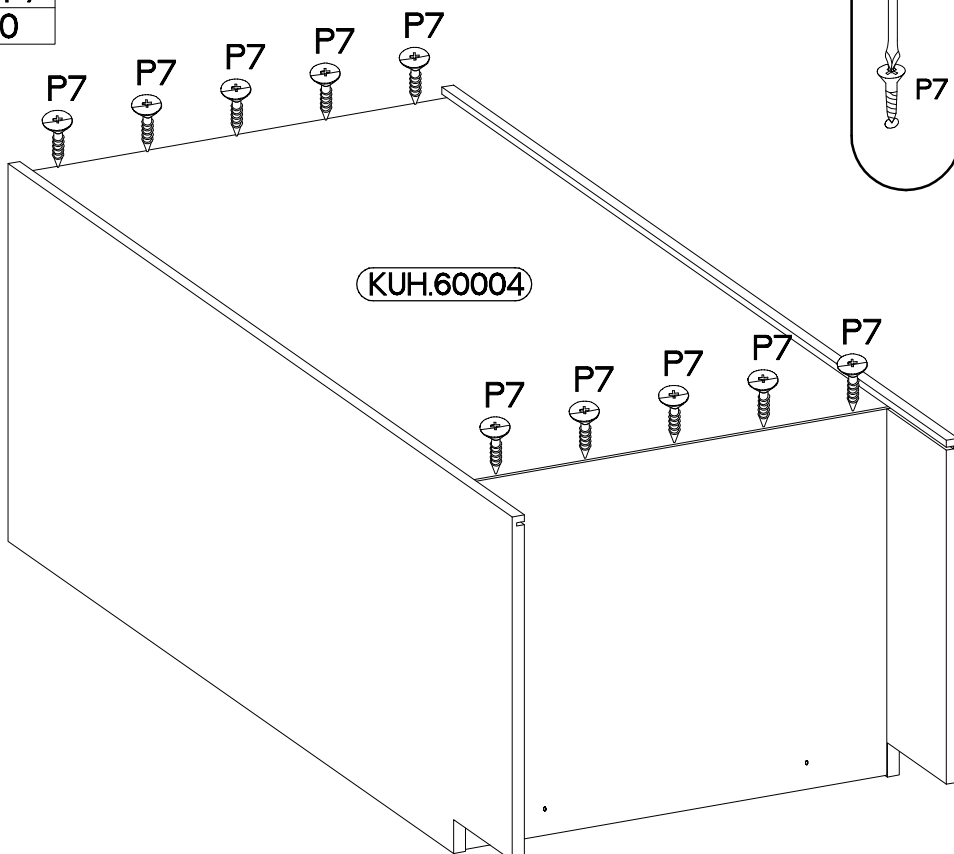


4



5

∅3.0x20mm
P7
8-10



6

4.0x45mm



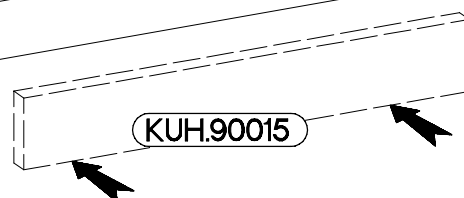
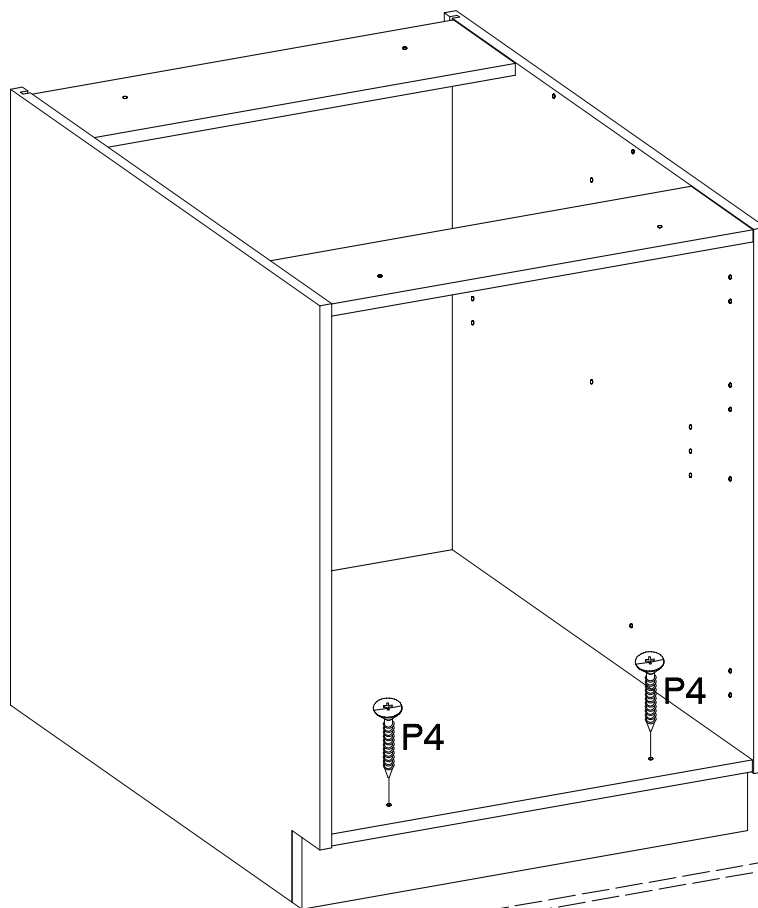
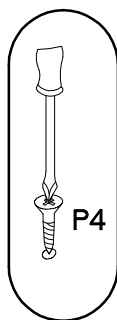
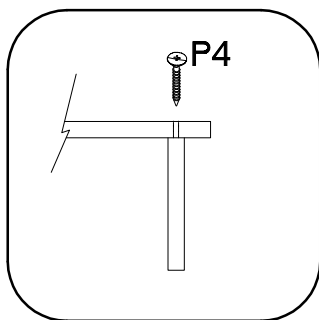
P4

2



E9

2



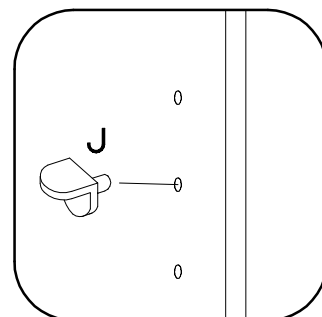
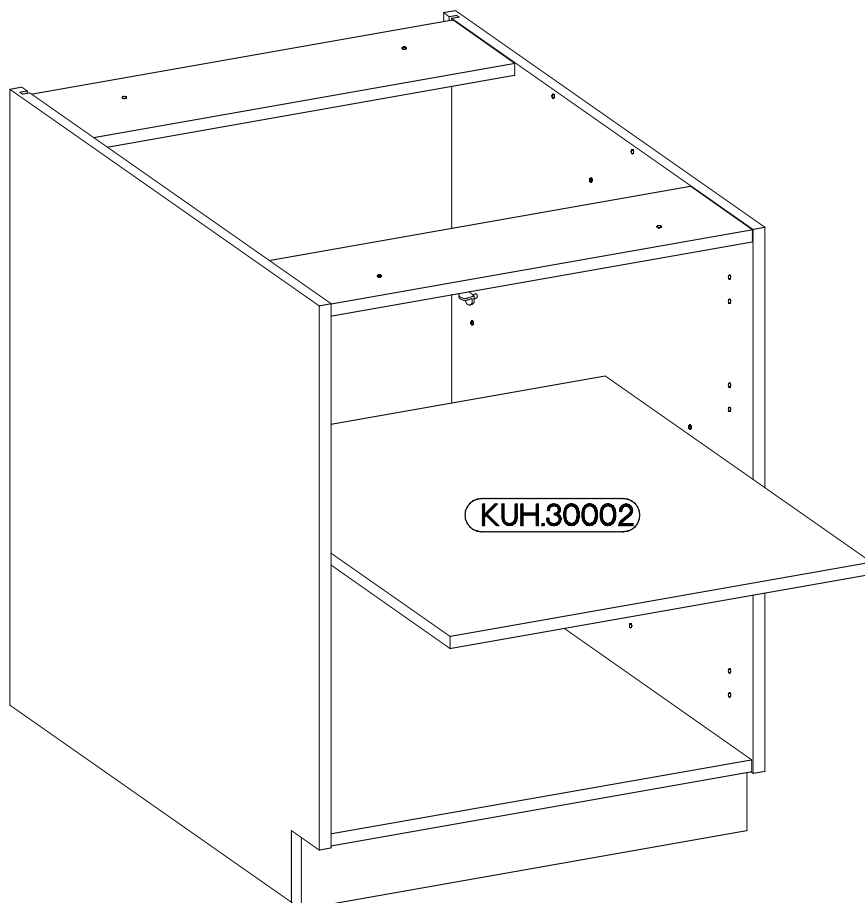
7

15/19mm



J

4



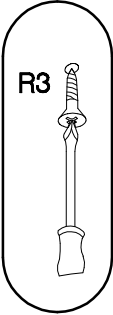
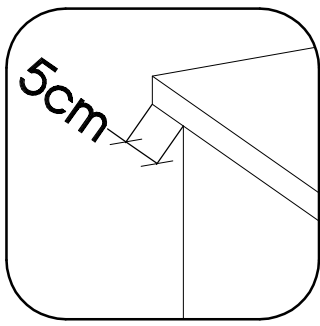
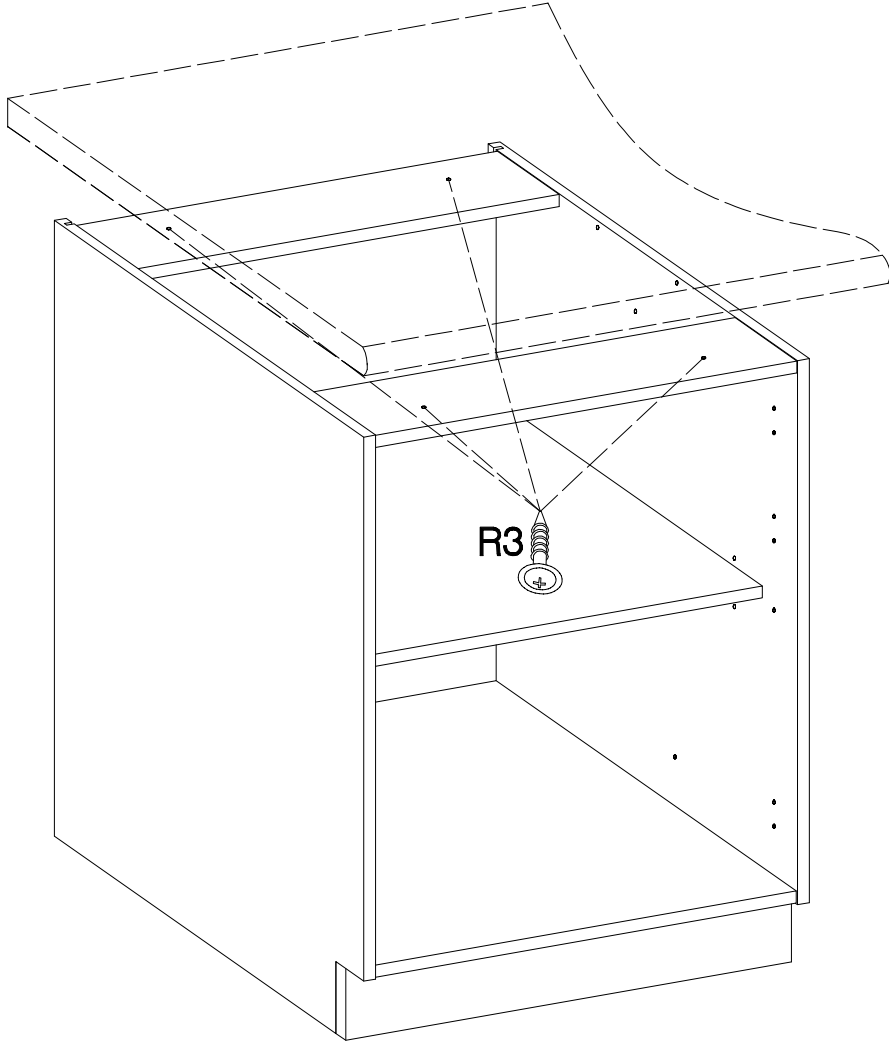
8

4.0x35mm



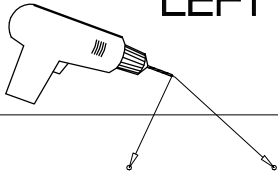
R3

4



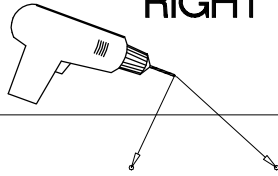
9

LEFT

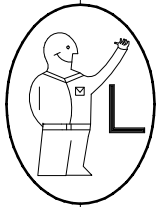
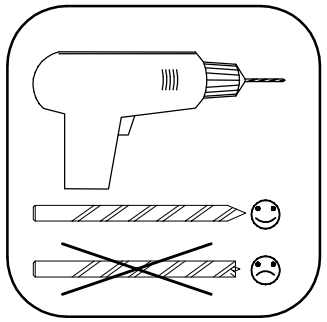


KUH.70604

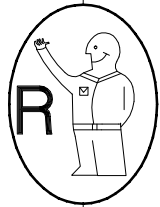
RIGHT



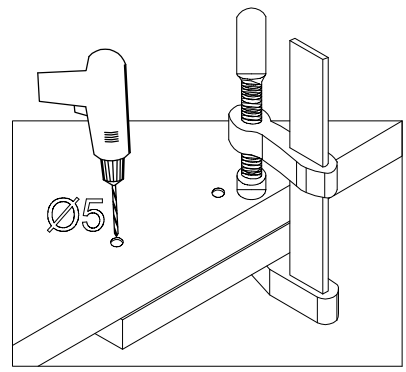
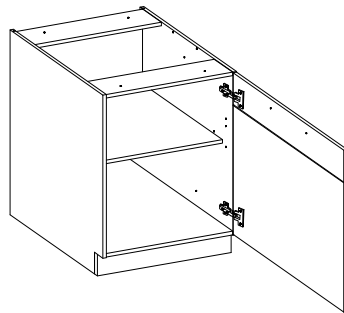
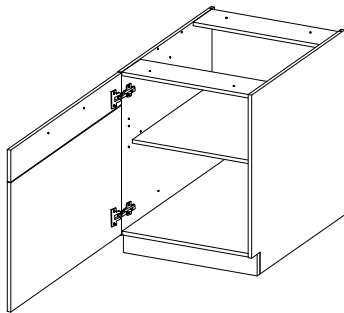
KUH.70604



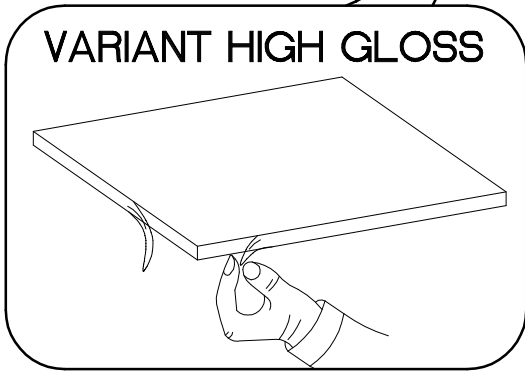
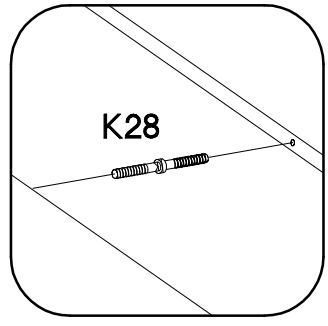
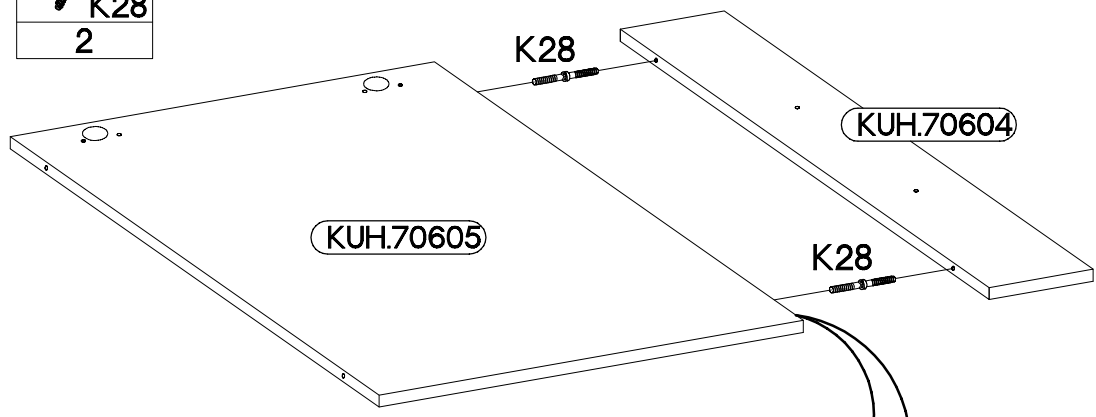
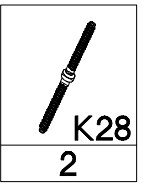
KUH.70605



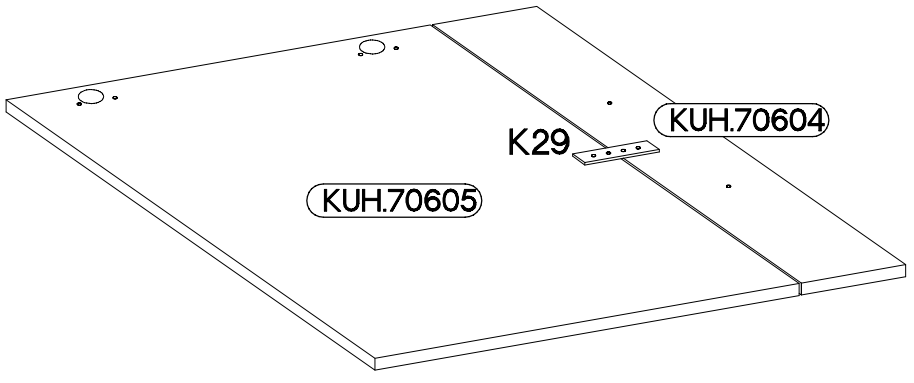
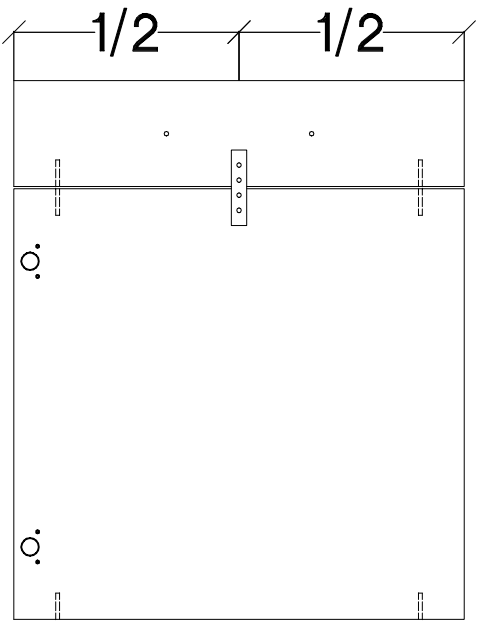
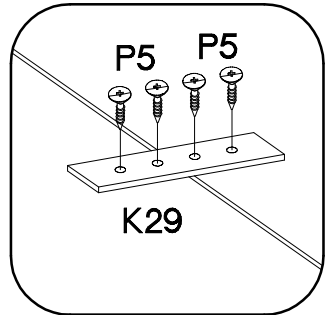
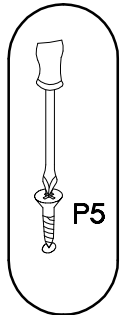
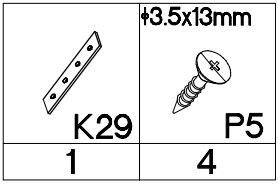
KUH.70605





10

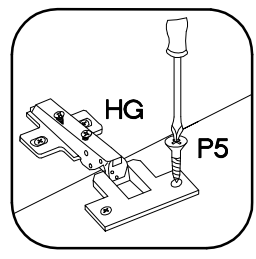
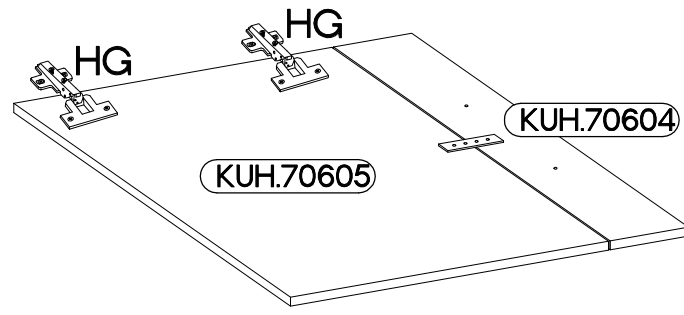
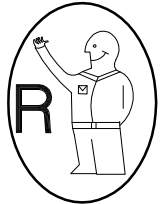


11

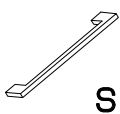



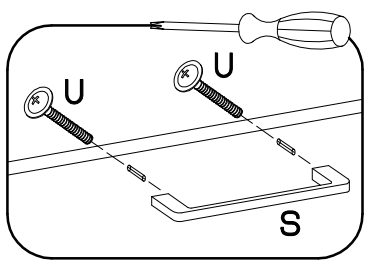
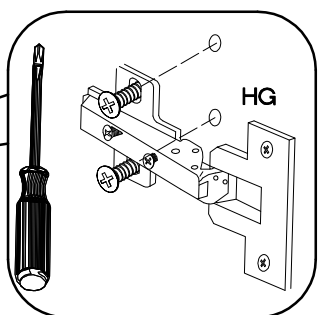
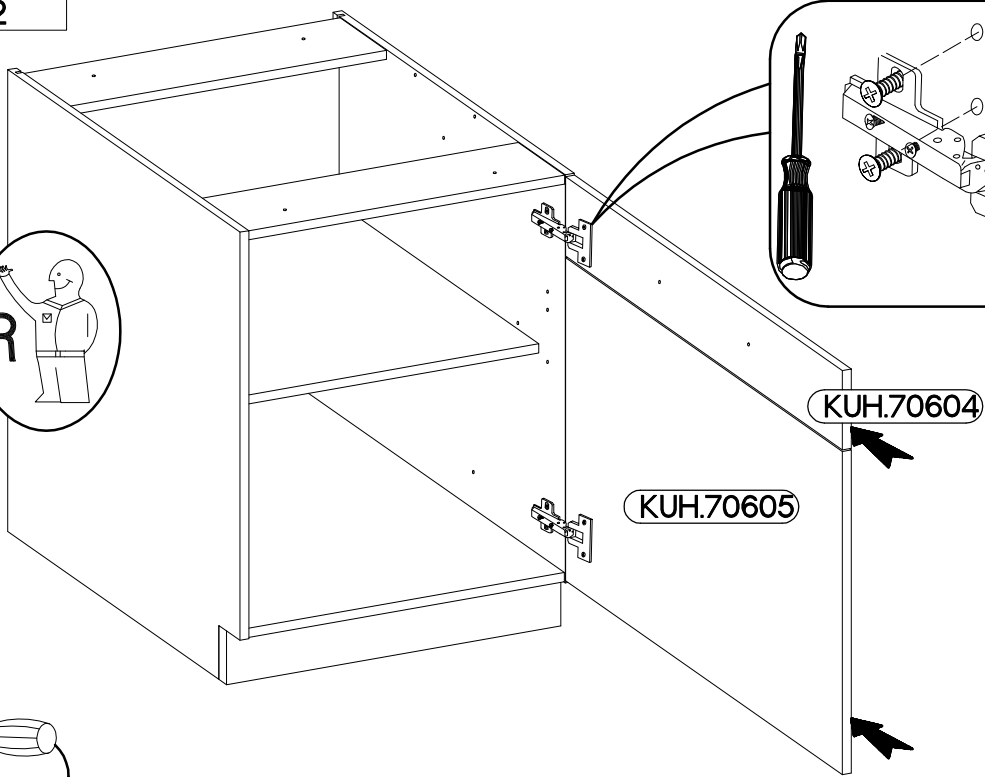
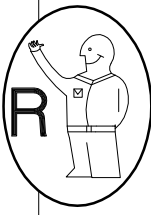
12

±35/0mm	±3.5x13mm
	
HG	P5
2	4



13

L=192mm	M4x22mm
	
S	U
1	2



VARIANT HIGH GLOSS

